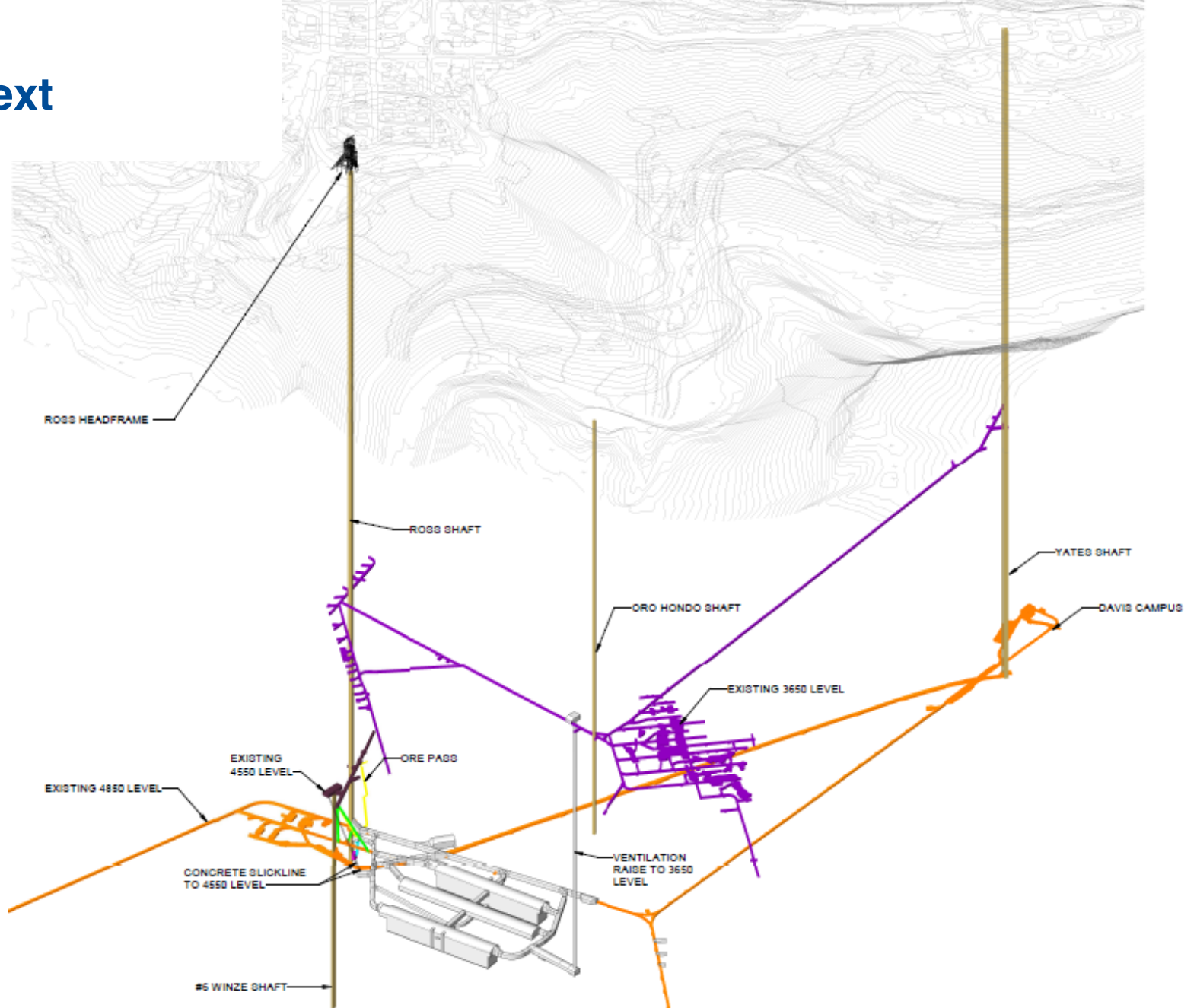


Public Information Meeting

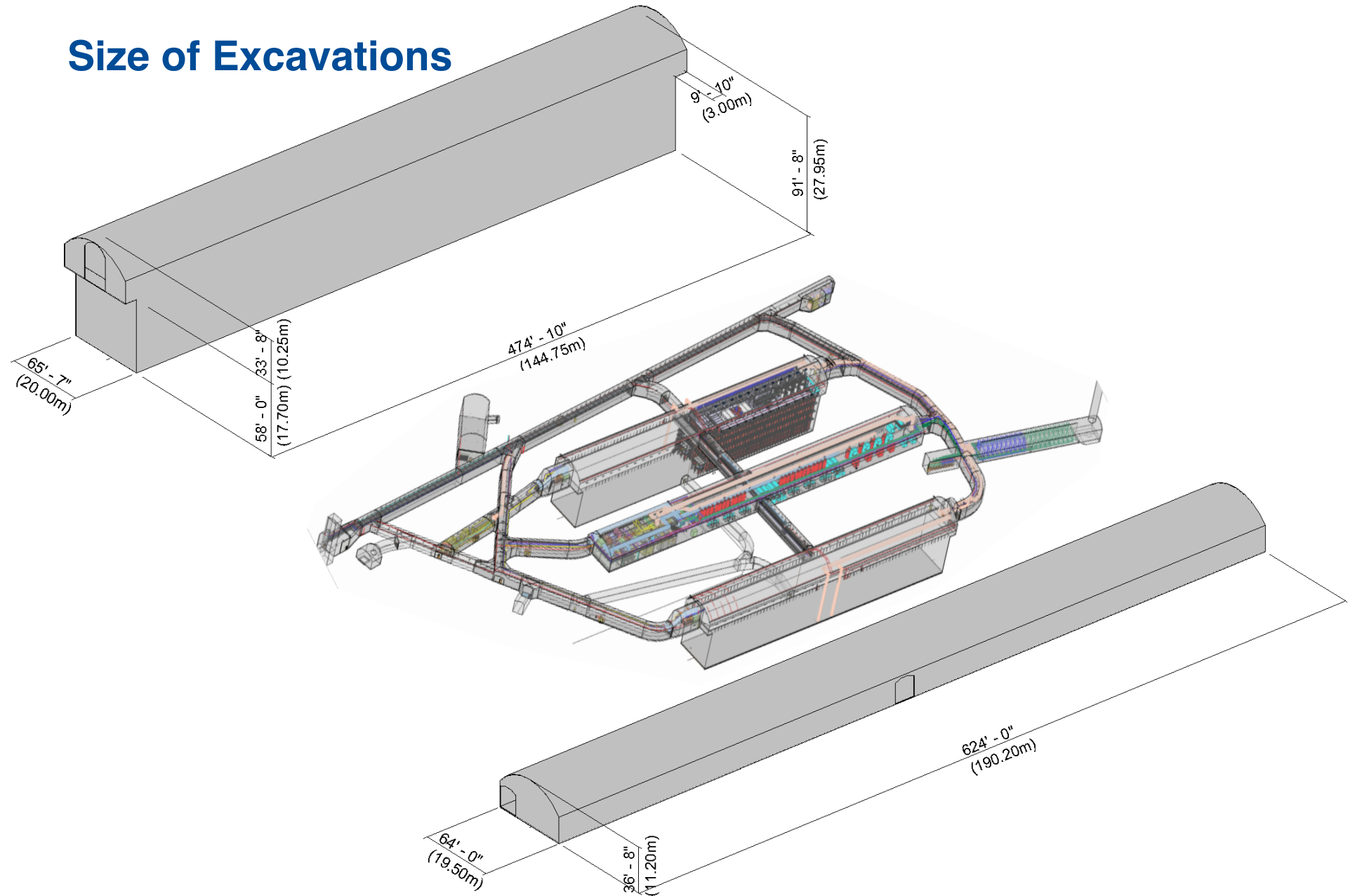
October 21, 2019



Context



Size of Excavations

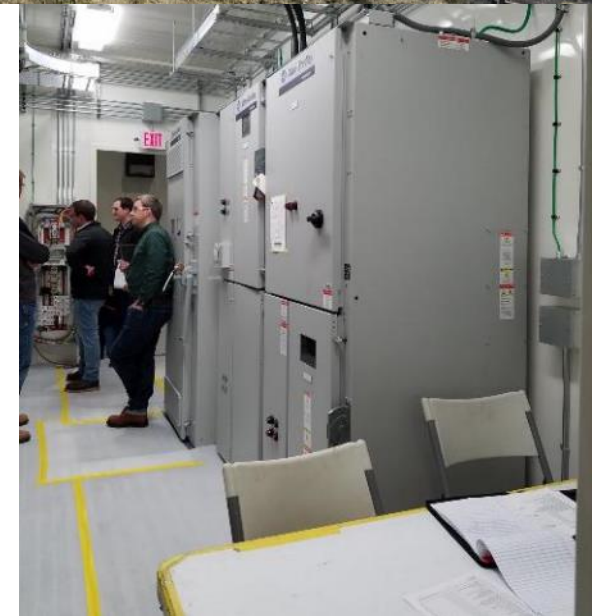


Reliability Projects

Oro Hondo VFD & E-House



E-house with drive installed.
Fan bearing replaced and fan balanced
Running as of yesterday.

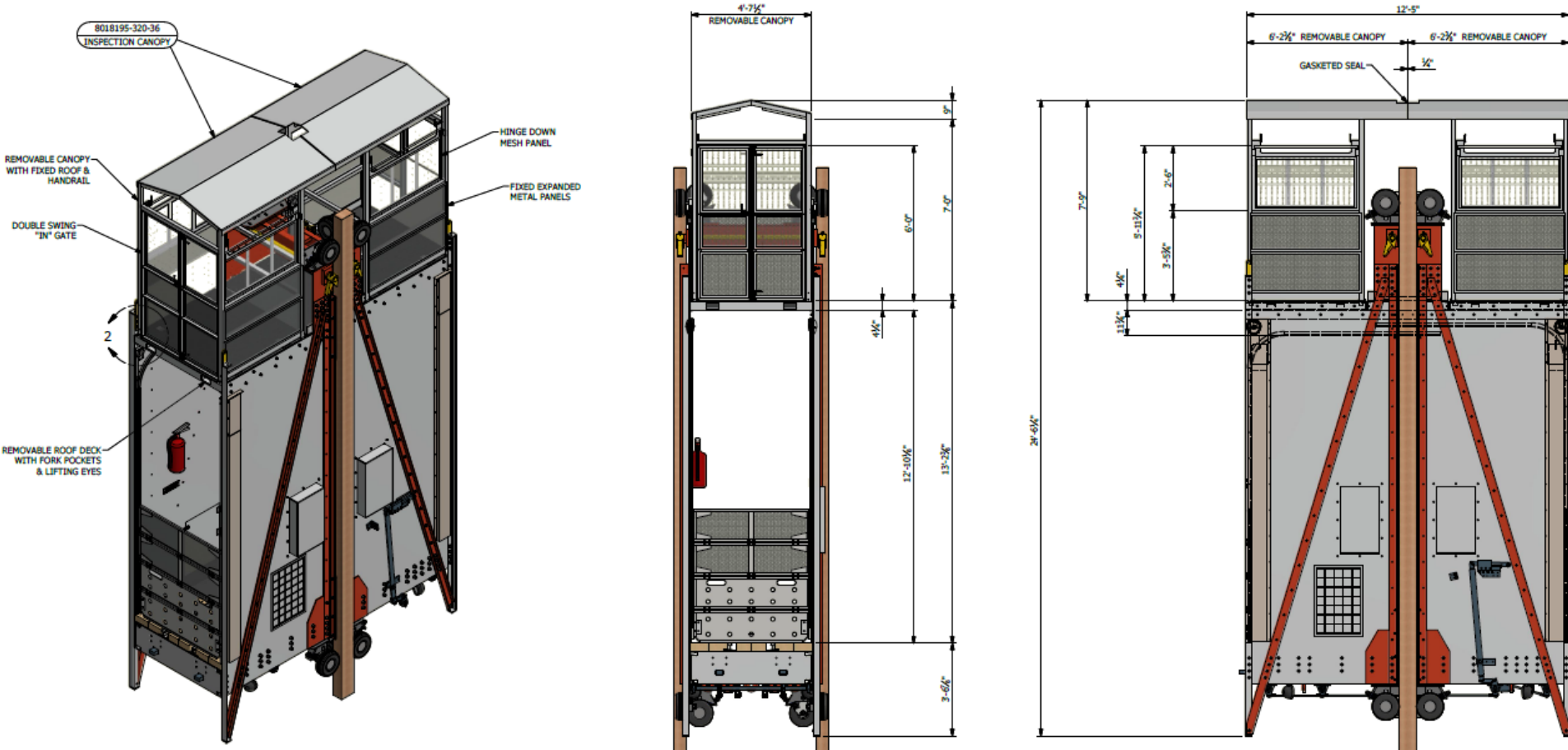


Skips



On site
To be stored until needed (next Fall)

Cage

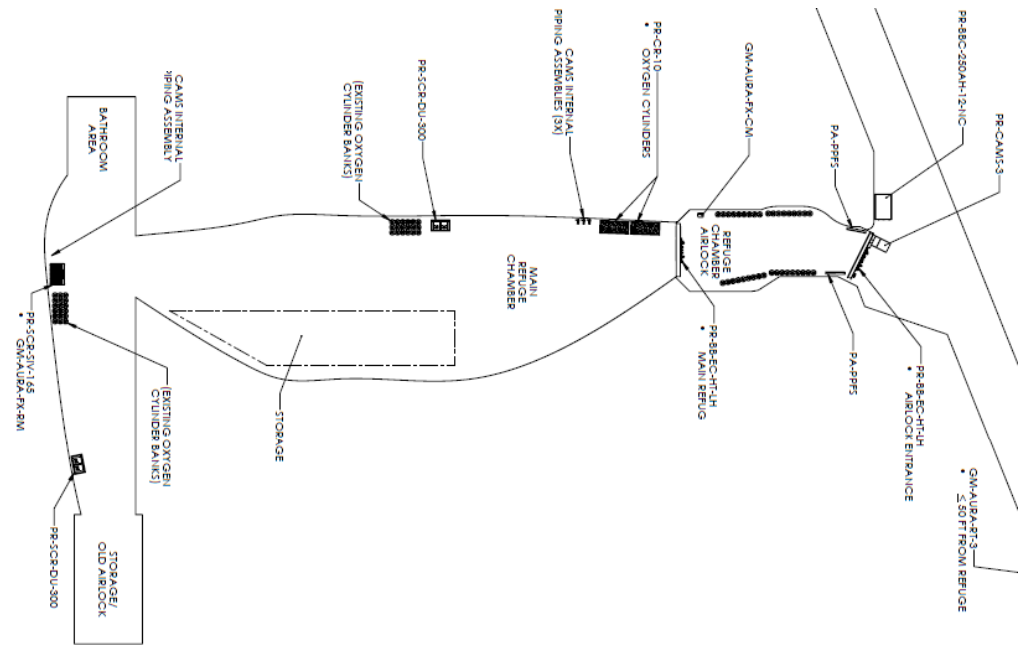
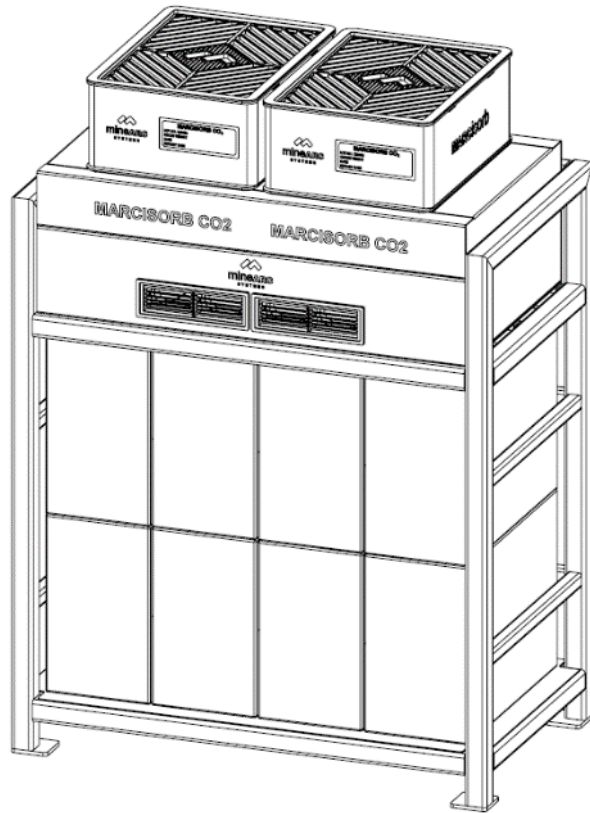


Final Design Complete

To be fabricated and drop tested in Indiana, delivered early next year

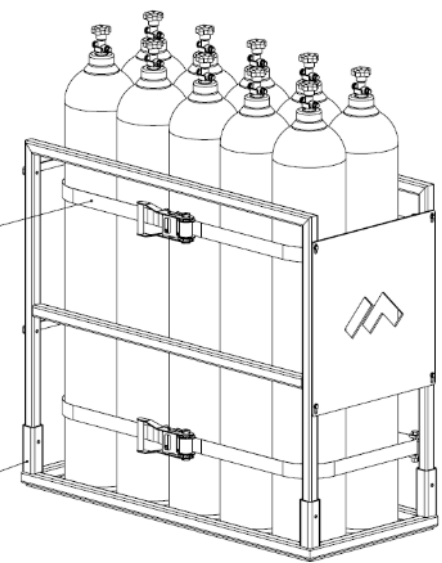
Will be stored on site until needed (next Fall)

Refuge Chamber



- CYLINDER STORAGE
- RUBBER MATTING
 - RATCHET STRAP SECURING

- INDUSTRIAL FINISH
- GLOSS YELLOW
 - POLYESTER POWDER COAT



Construction complete

Combined with additional capacity on Yates cage, increases UG occupancy limit

Hoist Reliability projects

- Preliminary design for new Ross hoist drives, brakes, and clutches complete
- Fermilab will purchase a full new (rebuilt) spare motor for the Ross hoists.



Hoist Motor Rehabilitation



Drives, Brakes & Clutches Replacement

Logistics

- Request for Information went out for warehousing options in the area.
 - Received responses from several interested parties.
- Warehouse will not be needed for a few more years.
- RFP for the warehousing option will be put out far enough in advance such that parties interested in building a warehouse will have time to do so.